

SEWAGE

Range Vortex NJ

Submersible
Pump for
Sewage Water

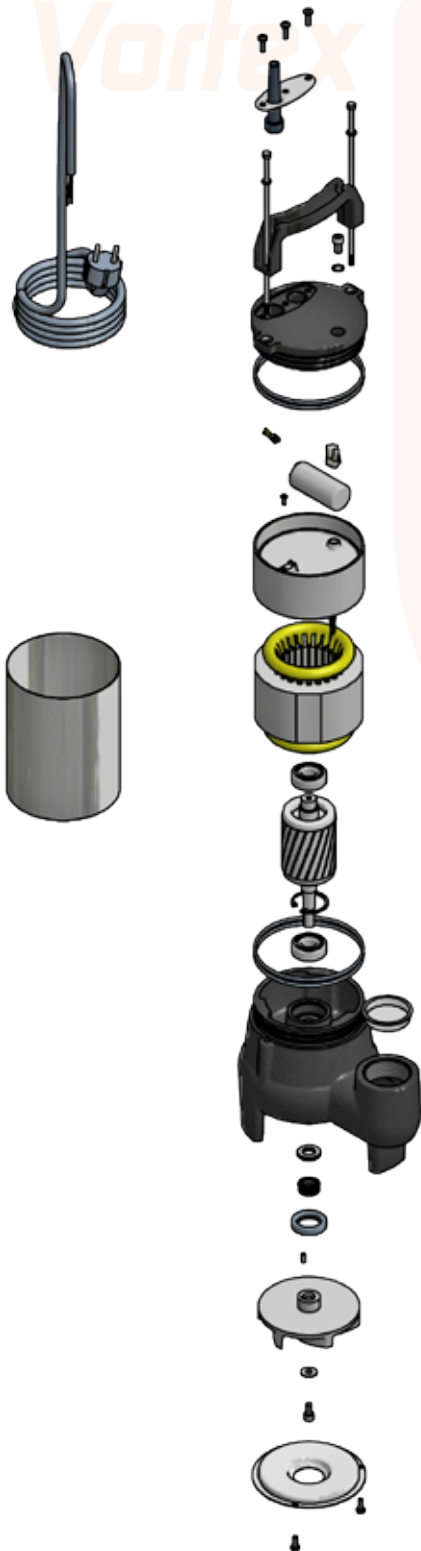
KEY ADVANTAGES OF A VORTEX PUMP:

Incolmatage : The vortex impeller creates a vortex that leads to most solids without contact with the turbine and the fibrous materials are repelled and can not hold on to the turbine.

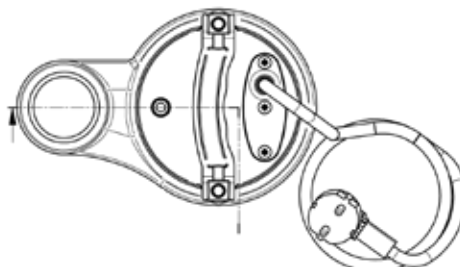
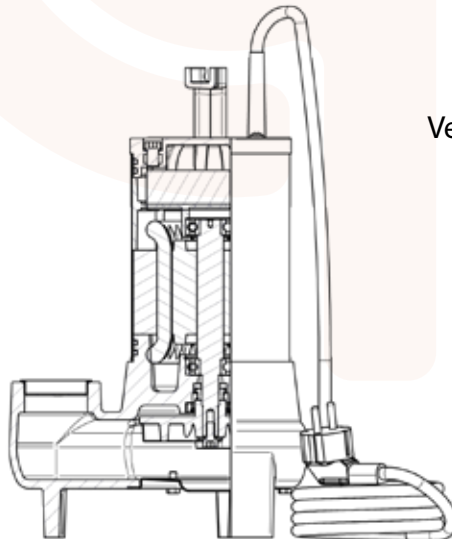
Minimum wear + consistent performance: The Vortex pump wear is very low because most of the solids pumped passes through the volute without touching the turbine. The yield remains constant over a long period.

Low maintenance + no adjustment: The position of the wheel back in the volute eliminates the risk of blockage and sudden loss of performance. No adjustment is necessary and the cost of maintenance and operation are low and constant.

Vortex NJ : Vertical outlet



The range **Vortex NJ** is especially designed to meet the water loaded with suspended matter, all wastewater houses (excluding WC) From 30 mm passage. Very low electrical consumption. Adapted to the sludge recirculation for microstation



USE :

Laden water with suspended solids, sludge recirculation for microstation
 All wastewater from homes, except toilets from 30 mm to pass
 Immersion depth of 10 m

FEATURES :

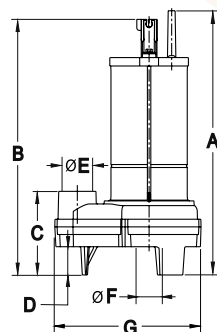
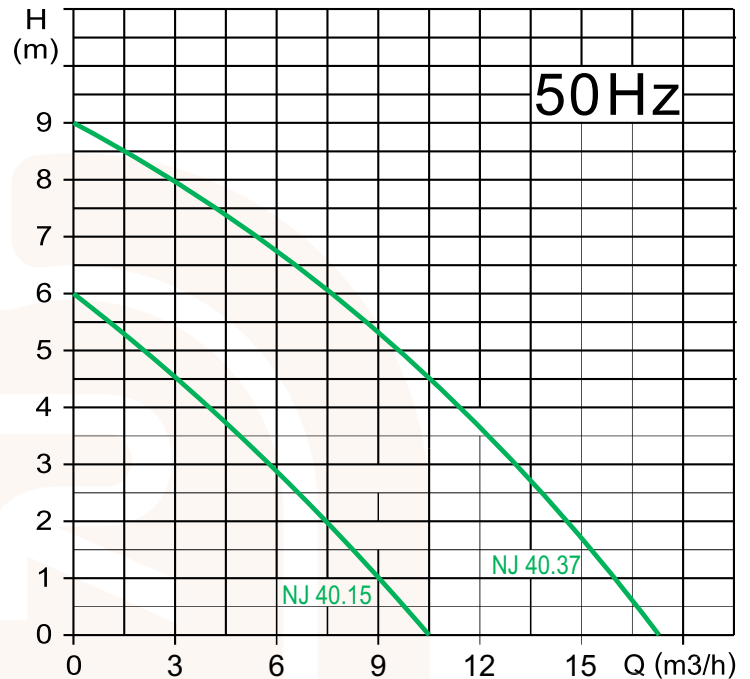
Motor casing in stainless steel
 Casing pump in cast
 Impeller in cast iron, stainless steel shaft
 Engine oil bath class F, 10 m cable, built-in capacitor (to phase)
 Double seals, lip seals and reinforced carbon ceramic mechanical seal
 Single-phase models with or without float float (types A)



SEWAGE

Vortex NJ

**Submersible
 Pump for
 Sewage Water**

Vertical outlet*Vortex*

Type	Dimensions (mm)							Weight Kg
	A	B	C	D	øE	ø F (passage)	G	
NJ 40.15.	322	311	111	35	1"½	33	213	0
NJ 40.37.	347	335	111	35	1"½	33	213	0

Type	Tension	Power		Motor		Passage ø mm	Connection DN	H (max) m	Debit (max) m³/h	Code	
	V	kW	CV	A	µF						
NJ 40.15.1M	1 x 230	0,15	0,2	2	12	30	1"½	6	9,6	01011051	
NJ 40.15.1A	1 x 230	0,15	0,2	2	12	30	1"½	6	9,6	01011052	
NJ 40.15.3	3 x 400	0,15	0,2	1	-	30	1"½	6	9,6	01011053	
NJ 40.37.1M	1 x 230	0,37	0,5	3,4	16	30	1"½	9	16,7	01011027	
NJ 40.37.1A	1 x 230	0,37	0,5	3,4	16	30	1"½	9	16,7	01011028	
NJ 40.37.3	3 x 400	0,37	0,5	1,3	-	30	1"½	9	16,7	01011029	

Built-in capacitor for single-phase models - Type A: model with float switch